

StrapPack[®]

NEW Semi-Automatic Strapping Machine



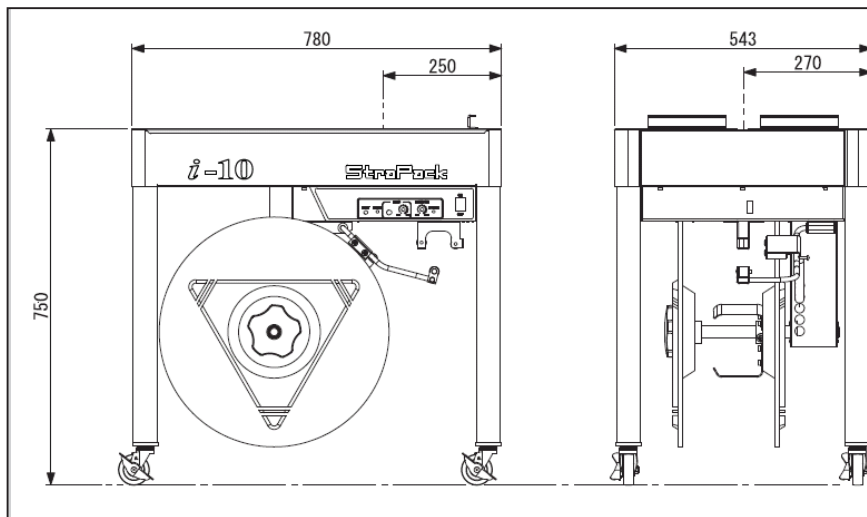
i-10

i-10



NEW Semi-Automatic Strapping Machine

- The I-10 runs strap from 5 millimeters to 15.5 millimeters (5/8 inches) without additional parts.
- Seal time extension (maximum one-half second) is equipped for use of heavy strap.
- The machine is ready to operate in only 45 seconds.
- The I-10 has hardly any moving parts, which makes it easy to maintain and keeps the operation cost low.
- Stabilized tensioning, controlled electronically with a microprocessor, can easily be adjusted from 2 kilogram-force (4.4 pounds) to 40 kilogram-force (88 pounds) with a single dial.



■ Standard Specifications

| | | | |
|----------------------------|---------------|---|---|
| Dimension | Width | 780 mm | 30-3/4 in. |
| | Height | 775 mm(with work guide) | 30-1/2 in.(with work guide) |
| | Depth | 543 mm | 21-3/8 in. |
| | Weight | 45 kg. | 100 lbs. |
| Table Height | | 750 mm | 29-1/2 in. |
| Min. Package Size | | W 100 X H 30 mm | W 3-7/8 X H 1-1/8 in. |
| Joint / Strap/ Coil | | heat seal / polypropylene ID 200 or 230 X W 200 mm | heat seal / polypropylene 8 X 8 or 9 X 8 in. |
| Strap Width | | 5, 6,9,12 (15.5) mm /0.45-0.7mm | 1/4,3/8,1/2 (5/8) in./ 0.017-0.027 in. |
| Strap Tension | | Max. 392 N (40 kgf) | Max. 88 lbsf. |
| Power Supply | | 100-120, 200-240 V | 1 Phase 50 / 60 Hz 0.25 KVA |

Dimensions and specifications are subject to change without notice.

Modification rights reserved.

Pats., U.M. & design registered and/or pending.

© 2010 Strapack Corporation

DISTRIBUTED BY:



COLONY
PACKAGING & MACHINE

1-800-221-9577 or www.colonypackaging.com

STRAPACK CORPORATION

7-16-14, Ginza, Chuo-ku Tokyo 104-0061, JAPAN
Phone 81-3-6278-1805 Fax. 81-3-6278-1806
(URL) <http://www.strapack.com> (E-mail) info@strapack.com

STRAPACK INC.

30860 San Clemente St. Hayward, CA 94544 U.S.A.
Phone 1-510-475-6000 Fax. 1-510-475-6090

STRAPACK, N.V./S.A.

Uilenbaan 200, 2160 Wommelgen, BELGIUM
Phone 32-3-355-1520 Fax. 32-3-355-1521