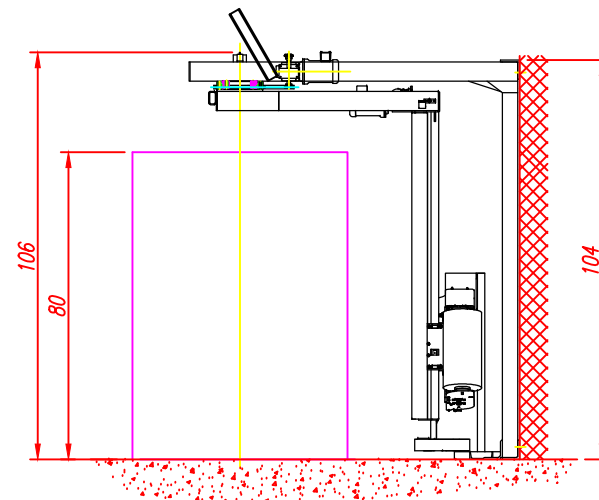
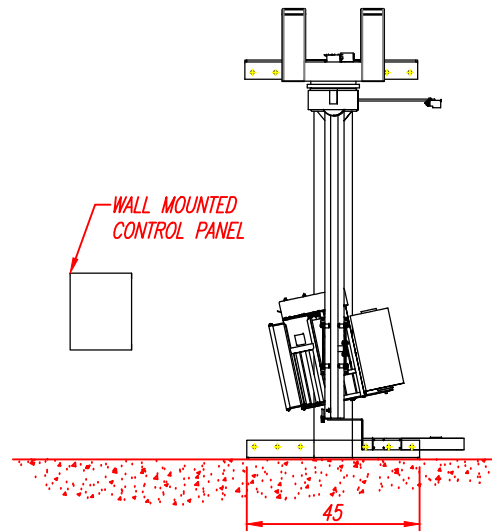
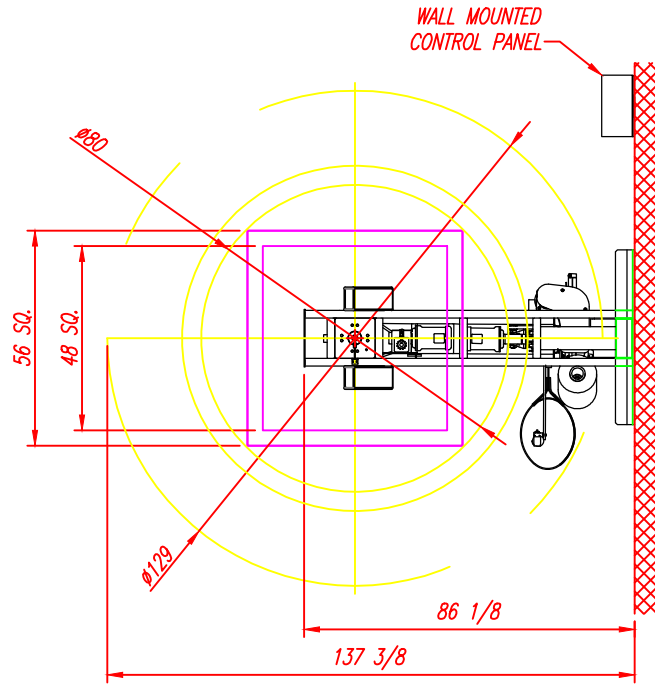




The Stretch Wrapping Experts

For more information call %, ' ' !(- \$!- +&+ or visit us at www.phoenixwrappers.com



WWW.PHOENIXWRAPPERS.COM

CLIENT:	STANDARD	DATE:
DISTRIBUTOR:	STANDARD	QUOTE:
MACHINE MODEL:	PRTW-2150	

PRELIMINARY LAYOUT FOR REF.