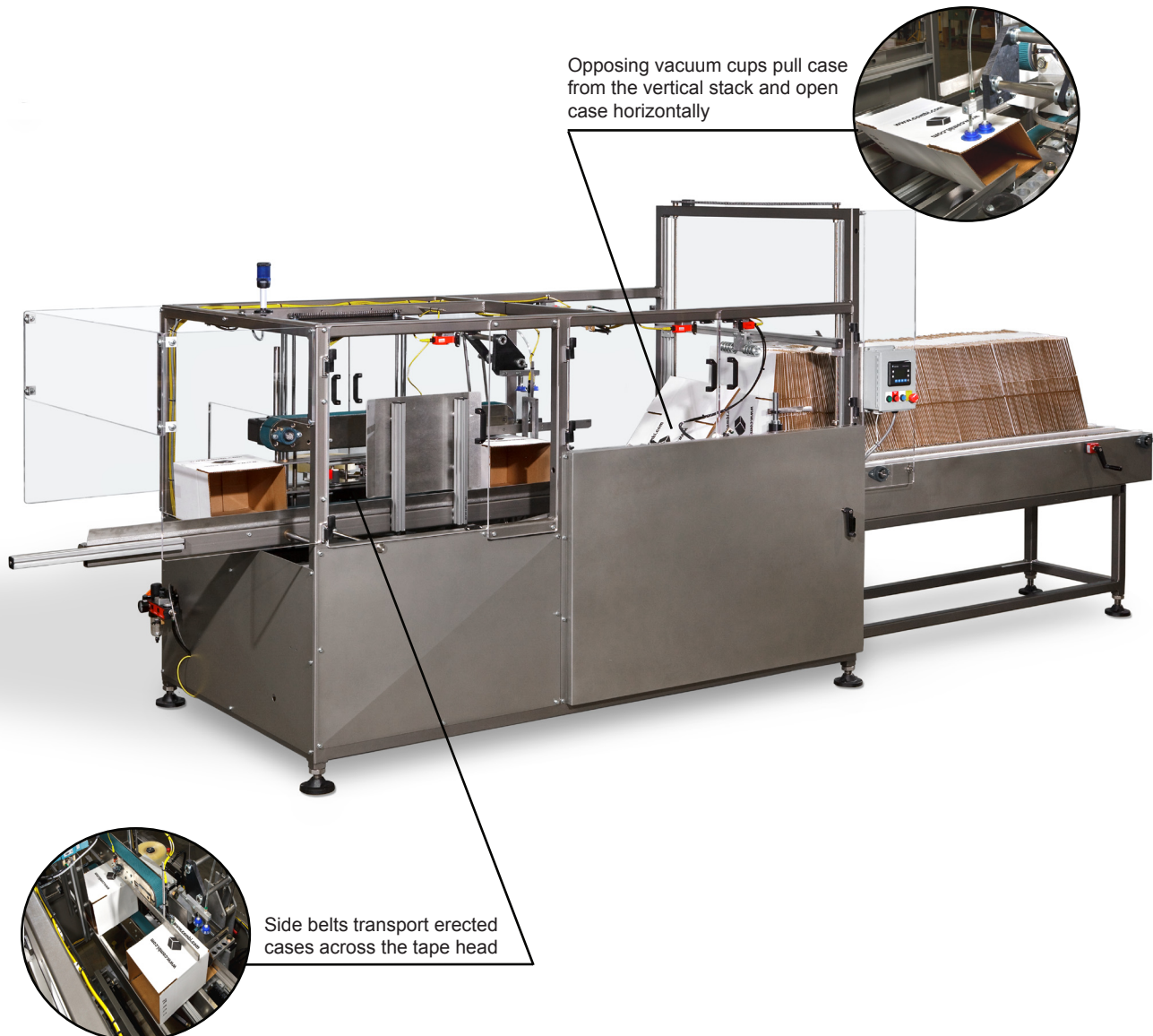


# HCE

## High Speed Case Erector/Bottom Sealer

**Combi**  
Packaging Systems LLC

As a specialist in the case erecting industry, Combi is constantly incorporating new technology into our impressive portfolio of equipment. The mechanical design Combi HCE offers high speed case erecting up to 35 cpm while achieving efficiencies in power and air usage and reduced overall machine size. Capable of erecting and sealing cases with adhesive tape or hot melt glue, the easy to use Combi HCE is built with heavy-duty mechanical components and rugged welded tubular steel construction for 3-shift reliability.



# HCE High Speed Case Erector

## Sequence of Operation:

Cases are loaded vertically in powered magazine. The variable speed AC drive system coupled with positive opposing vacuum cups pulls the case forward to erect in horizontal position. Minor flaps are positively closed with rotary actuator before a walking beam transfers the case to side belts (case on case for hotmelt applications). The case then passes the tape head where tape is applied providing a square, tight bottom seal. The case is then discharged from the case erector and up-righted to a vertical orientation.

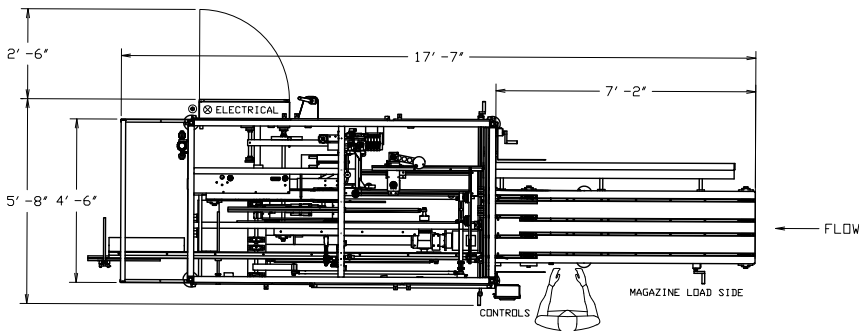
## HCE Features:

- Up to 35 cases per minute
- Powered case magazine holds up to 270 cases (additional capacity magazine available as option)
- Dual belt drive case indexing
- Positive case opening with opposing vacuum
- Positive mechanical four flap closing
- Low maintenance AC drive motors
- Fast changeovers with only six adjustments
- Heavy duty welded tubular steel construction
- Safety interlocked guarding
- 1 year comprehensive machine warranty on non-wear parts
- Allen Bradley components

## Electrical Requirements:

240 Volt / 3 Phase / 60 Hz / 30 amp

Model	Case Size Min (LxWxH) OD	Case Size Max (LxWxH) OD	Speed: CPM
HCE	10"x6"x9 3/4" (254x152x248mm)	24"x16"x16" (610x406x406mm)	up to 35
HCE HM	10"x8"x7 1/2" (254x203x191mm)	24"x16"x16" (610x406x406mm)	up to 35
HCE XL	12"x8"x9 3/4" (305x203x248mm)	28"x20"x20" (711x508x508mm)	up to 20



Combi **IS** Custom.

Custom **IS** Affordable.

Affordable **IS** Common Sense.

**Distributed by:**

**Combi**  
Packaging Systems LLC

5365 East Center Dr. NE  
Phone: 1-800-521-9072

Canton, OH 44721  
Fax: 330-456-4644

[www.combi.com](http://www.combi.com)

© 2015 Combi Packaging Systems LLC  
a joint venture company with 3M and M J Maillis Group