

ROTOPLAT 507

ROTOPLAT 707

**Semi-Automatic Turntable
Stretch Wrapping Machines**



ROBOPAC 

overview



The Rotoplat 507 and 707 feature an S Winding Pattern Roll Carriage with Quick Load System that provides 40% more film contact than the W Winding pattern (commonly used by competitors) while providing better control of film through the roll carriage and fewer film breaks.

Our Variable Pre-Stretch delivers the best film economy for all films and all loads. Four selectable wrap patterns allow you to optimize each of your load types, reduce damage, improve productivity and reduce film costs.

The 65" diameter turntable is made from 3/8" diamond plated steel which keeps loads from shifting, offers added slip resistance when someone steps on the turntable and easily accommodates a 40" X 48" with no overhang.

The 507 and 707 are CE Compliant (strictest safety and electrical standards). Our roll carriage safety stop protects objects and people beneath roll carriage. The roll carriage is located on operator side of mast to keep the operator out of the wrapping area.

Ability to adjust all wrapping parameters to meet the specific needs of each load: pre-stretch; containment force; top & bottom wraps; turntable speed; overlap; overwrap.

Our standard load cell controls wrapping/containment force and is the best technology available for corner compensation below 28 rpm.

A scale package option is available to weigh your wrapped pallet while still on the turntable, providing shipping data without having to relocate the load.

roll carriages



Power Dual Pre-Stretch Roll Carriage

The Power Dual Pre-Stretch Roll Carriage System (PDS) delivers 250% pre-stretch using fixed gears. You can easily switch to variable pre-stretch by activating the Double Stretch "S" button on the operator panel. The containment force is also adjustable from the operator control panel. Robopac's patented high-performance S-Wrap Pattern (with Quick Load System) and load cell compensation and containment force device give you total film control.

- 20" carriage standard
- 30" carriage optional



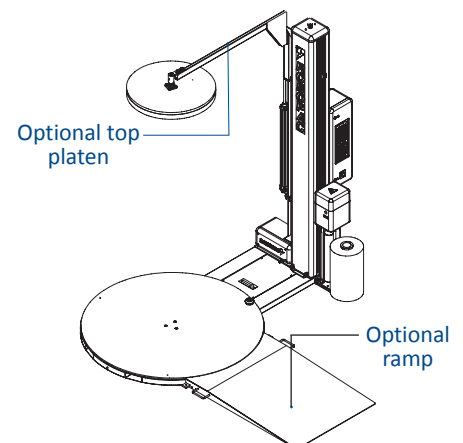
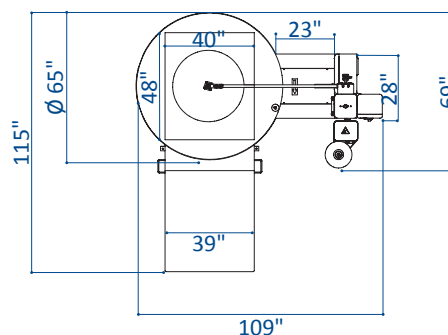
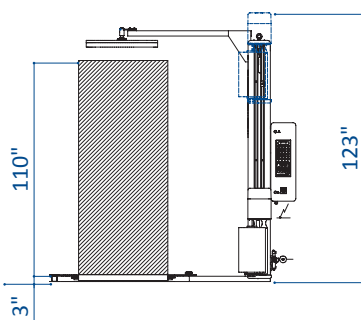
Robopac's Patented Power Variable Pre-Stretch Roll Carriage

Robopac's innovative and patented S-winding pattern and dual motor pre-stretch system give you the ability to pre-stretch film from 100% up to 400% using two independent, variable AC motors. Both the pre-stretch and containment force are adjustable via the operator control panel. Robopac's patented high-performance S-Wrap Pattern (with Quick Load System) and load cell corner compensation and containment force device give you total film control.

- 20" carriage standard
- 30" carriage optional

specifications

Technical Features		
	Rotoplat 507	Rotoplat 707
Performance		
Production Speed	Up to 40 LPH	Up to 40 LPH
Turntable Speed	4-15 RPM	4-15 RPM
Turntable Drive	1 HP VAC	1 HP VAC
Load Handling		
Turntable Size	65" diameter diamond plate	65" diameter diamond plate
Maximum Load Height	110"	110"
Maximum Load Weight	4,400 lbs	4,400 lbs
Film Delivery System		
	PDS	PVS
Film Delivery System	Power Dual Stretch	Power Variable Stretch
Standard Pre-Stretch	250%	Variable to 400%
Containment Force	Variable Electronic	Variable Electronic
Corner Compensation	Load Cell	Load Cell
Roll Carriage Speed	Variable up and down	Variable up and down
Standard Film Width	20"	20"
Automatic Film Cut	Option	Option
Load Height Detection	Infrared Photocell detects dark, clear and reflective products. Eliminates false reading of gaps in loads.	Infrared Photocell detects dark, clear and reflective products. Eliminates false reading of gaps in loads.
Safety Features		
Roll Carriage Safety Stop	Standard	Standard
CE Compliant	Yes	Yes
Anti-Fall Device	Standard	Standard
Lock-Out/Tag-Out Compliant	Yes	Yes
Additional Features		
Top Sheet Wrap	Standard	Standard
Banding	Standard	Standard
Forklift Portable	Front and rear	Front and rear
Service Requirements		
Electric	110VAC/1ph/60Hz (+/-10%)	110VAC/1ph/60Hz (+/-10%)
NEMA 12 Enclosure	Standard	Standard
Warranty	3 Years	3 Years



ROBOPAC

Robopac is the global leader in the stretch wrapping industry. Our line of semi-automatic and automatic stretch wrapping equipment combines technology, innovation and experience into products that deliver results you can depend on.

Robopac is ISO 9001:2008 certified and all our equipment meets the strictest global safety standards, including CE.

In 2008, Robopac hired Porsche Lean Consulting to help us implement their lean manufacturing process in our factory. This process allows us to build our equipment faster, better, for less.



Aetna Group holds over 100 patents and our commitment to innovation is the heart of our organization. With over 80 employees dedicated to Research & Development and a \$7.6-million investment in R&D in 2011, we are committed to maintaining our position as the global leader in secondary packaging.

Aetna Group has more than 120,000 machines installed around the world and currently produces 6,700 machines annually, more than twice that of our nearest competitor.

Our four product lines: Robopac, Robopac Sistemi, Dimac and Prismatic offer complete lines of innovative stretch wrapping systems, bundlers, shrink wrappers, cartoning systems and tape machines through a global network of over 400 agents and distributors. We also employ over 80 technical service engineers ready to provide prompt and courteous support, whenever and wherever you need it.

AETNA GROUP U.S.A. Inc.

2475B Satellite Blvd. - Duluth - GA 30096-5805 - USA
tel: (+1) 678 473 7896 - toll free (866) 713 7286
fax: (+1) 678 473 1025
e-mail: aetnagroup@aetnagroupusa.com

ROBOPAC S.P.A.

Via Fabrizio da Montebello, 81
47892 Acquaviva Gualdicciolo - Repubblica di San Marino
tel: + 378 0549. 910. 511
fax: + 378 0549. 908. 549 / 905. 946
e-mail: robopac@aetnagroup.com

AETNA GROUP S.P.A. - ROBOPAC SISTEMI

S.P. Marecchia, 59 - 47826 Villa Verucchio - Rimini
tel: (+39) 0541 673411
fax: (+39) 0541 679576
e-mail: robopacsistemi@aetnagroup.com

AETNA GROUP S.P.A. - DIMAC

Via Rinascita, 25 - 40064 Ozzano Emilia - Bologna
tel: (+39) 051 791611
fax: (+39) 051 6511013
e-mail: dimac@aetnagroup.com

PRASMATIC S.R.L.

Via J. Barozzi, 8 - Z.I. Corallo - 40050 Monteveglio - Bologna
tel: (+39) 051 960302
fax: (+39) 051 960579
e-mail: info@prasmatic.com

AETNA GROUP UK LTD

Packaging Heights
Highfield Parc- Oakley- Bedford MK43 7TA - England
tel: (+44) 0 1234 825050
fax: (+44) 0 1234 827070
e-mail: sales@aetna.co.uk

AETNA GROUP FRANCE S.a.r.l.

4, Avenue de l'Europe - 69150 Décines - France
tel: (+33) 04 72 14 54 01
fax: (+33) 04 72 14 54 19
e-mail: commercial@aetnafr.aetnagroup.com

AETNA GROUP DEUTSCHLAND GmbH.

Liebigstr. 6 - 71229 Leonberg - Höfingen - Germany
tel: (+49) 0 7152 33 111 30
fax: (+49) 0 7152 33 111 40
e-mail: info@aetna-deutschland.de

AETNA GROUP VOSTOK OOO

129329 Moscow - Otravnaya str. 2B - building 6 office 224
tel: (+7) 495 6443355
fax: (+7) 495 6443356
e-mail: info@aetnagroupvostok.ru

AETNA GROUP SHANGHAI

Shanghai Jin Shan Industrial Park
Jin Liu Road No 877 - 201506
tel: +86 (0) 21 67290111
fax: +86 (0) 21 67290333
e-mail: infochina@aetnagroup.com

www.aetnagroupusa.com

